

1

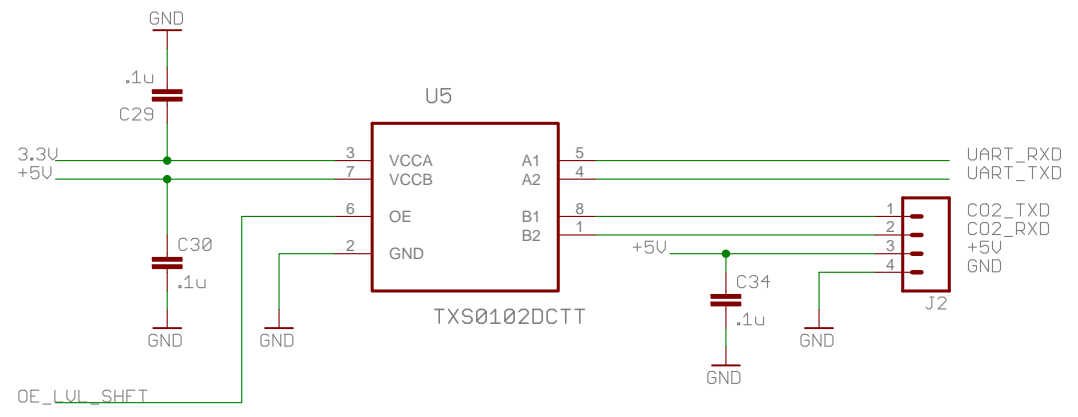
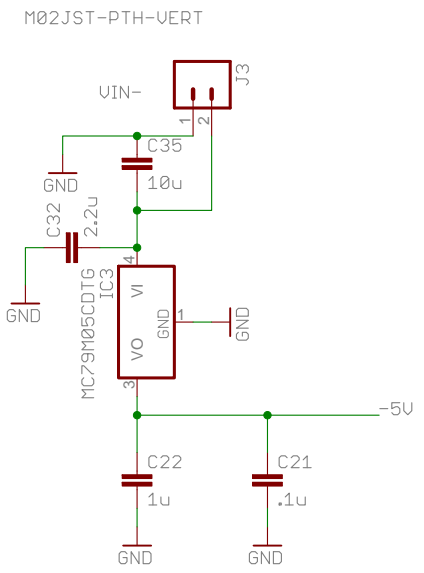
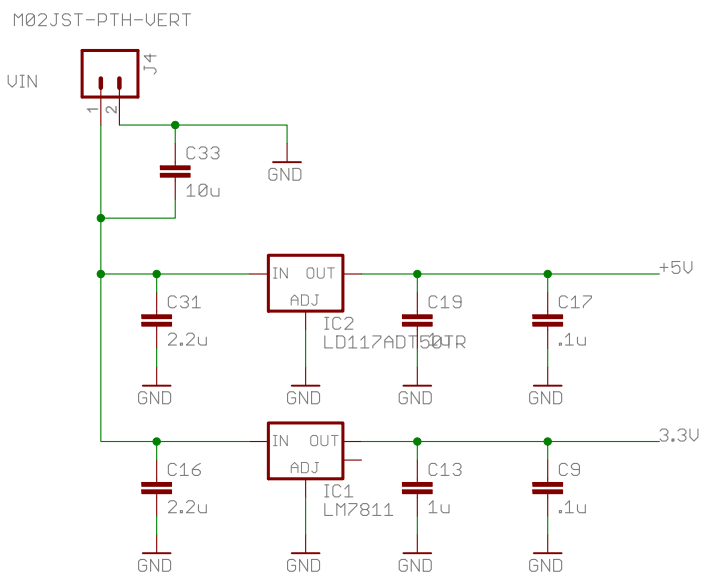
2

3

4

5

6



Power / Serial Level Shifting

TITLE: SQUID

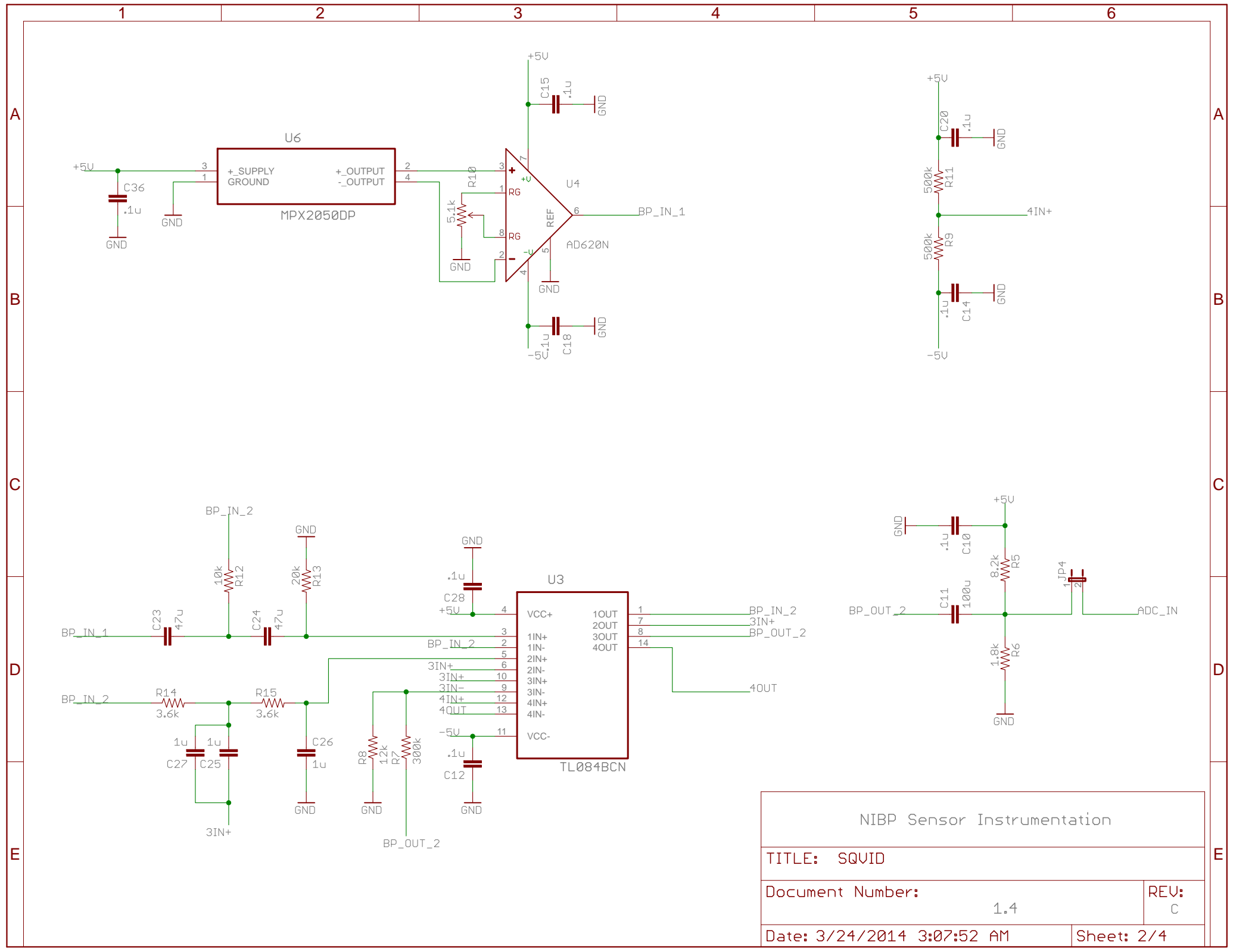
Document Number:

1.4

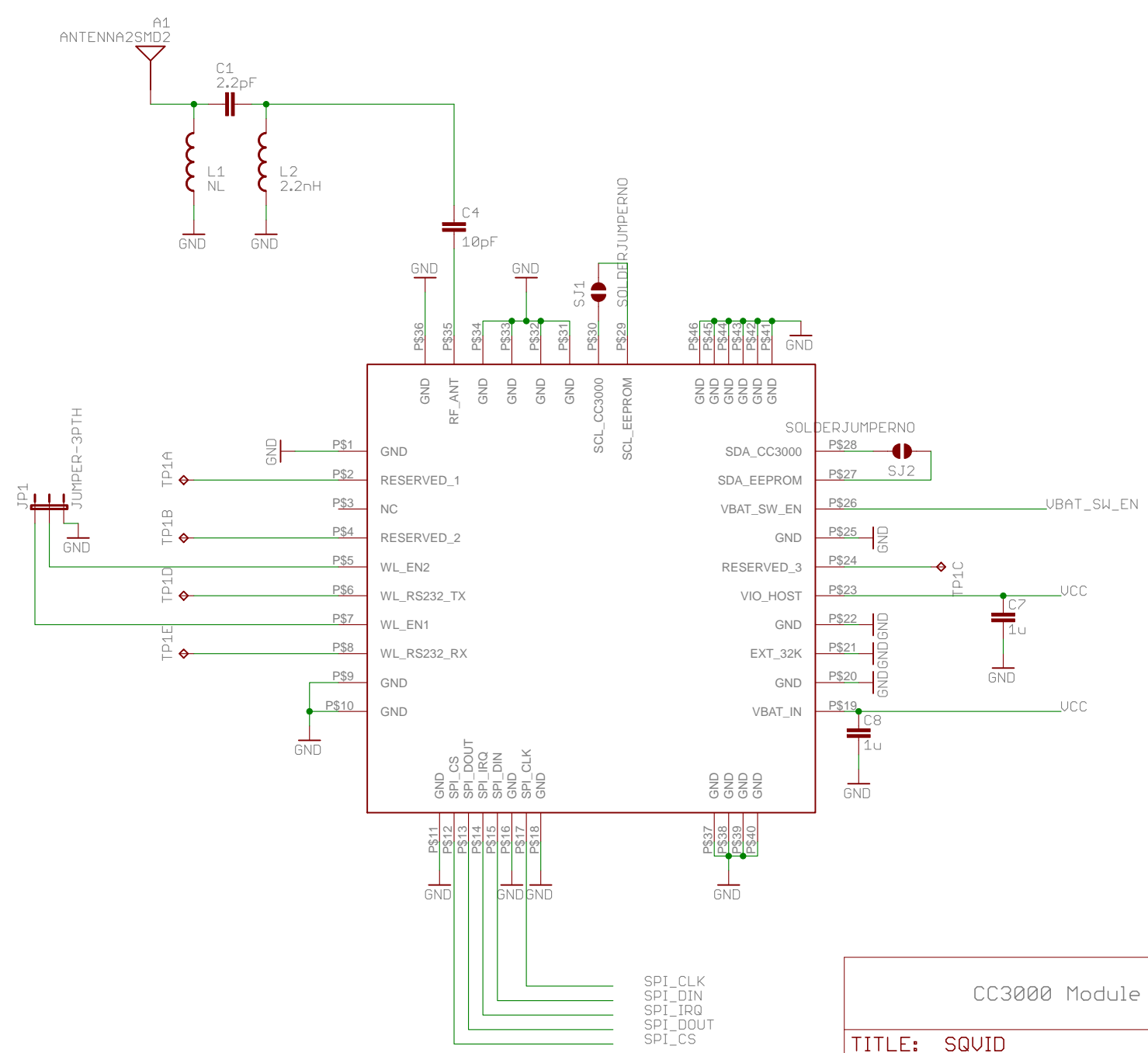
REV:
C

Date: 3/24/2014 3:07:52 AM

Sheet: 1/4

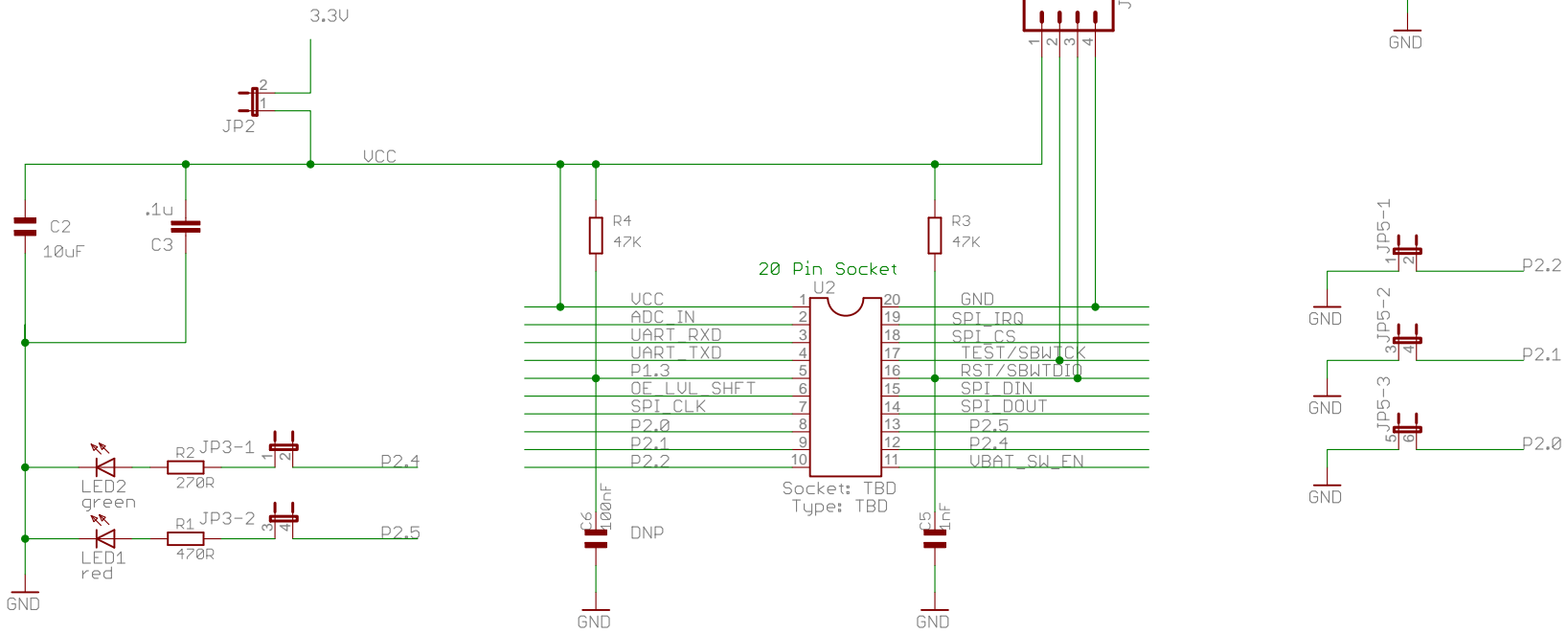


NIBP Sensor Instrumentation	
TITLE: SQUID	
Document Number:	REV: C
1.4	
Date: 3/24/2014 3:07:52 AM	Sheet: 2/4



SPI_CLK
 SPI_DIN
 SPI_IRQ
 SPI_DOUT
 SPI_CS

CC3000 Module	
TITLE: SQUID	
Document Number:	1.4
Date: 3/24/2014 3:07:52 AM	REV: C
Sheet: 3/4	



MSP430 Socket	
TITLE: SQUID	
Document Number:	REV: C
1.4	
Date: 3/24/2014 3:07:52 AM	Sheet: 4/4